

### User friendly control panel

- emergency stop
- service indicator
- battery status display

### Hand control

Detachable for optimal ergonomic steering.

### SmartPack

Easily switch the battery pack to extend runtime through multiple shifts.



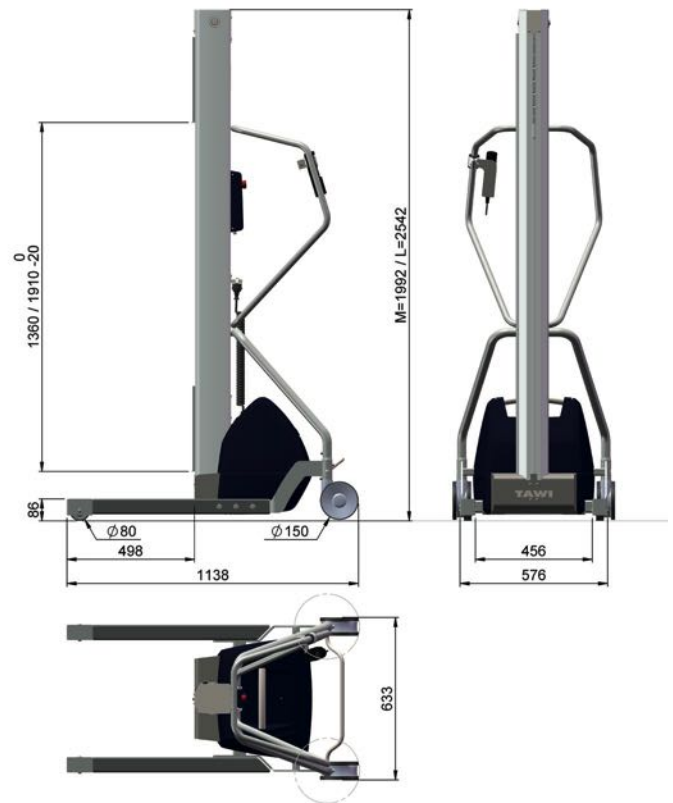
- Flexible solution for lifting and transporting everything from reels to boxes in an ergonomic and efficient manner.
- Available in two mast sizes; M and L.
- The lifter is available in stainless steel, equipped with a white FDA approved cover, ideal for food manufacturing and pharmaceutical industry
- SafeDrive ensures that if a tool hits an object during lowering, it will stop immediately.
- The lifter is belt driven, resulting in safe, quiet and smooth oil free drive.
- With our wide selection of tools and accessories, the PRO250 can be optimized for your needs. Standard tools and accessories are presented on the following pages.

[Call us!](#)

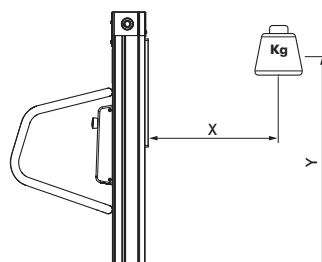
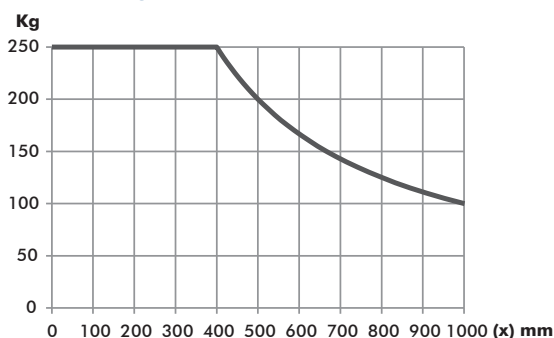
Contact your sales representative for bespoke solutions.

## Technical specifications

| Description             | Specifications                      |
|-------------------------|-------------------------------------|
| PRO250M / PRO250L       | 89510 / 89520                       |
| PRO250MSS / PRO250LSS   | 89515 / 89525                       |
| Lifting capacity        | 250 kg                              |
| Stroke                  | 1360 / 1910 mm                      |
| Weight of unit          | 107 / 113 kg                        |
| Total height of unit    | 1990 / 2540 mm                      |
| Battery charger         | 100-240V, grounded 50-60 Hz         |
| Battery                 | 2x12V 17Ah                          |
| Watt                    | 80 W                                |
| Lifts per charge        | 250 kg x 1m x 100 times             |
| Up and down motions     | Hand control (two speed)            |
| Front wheels            | Fixed                               |
| Brake system            | Central brake with directional lock |
| Overload protection     | Incorporated in circuit load        |
| IP-rating               | IP24                                |
| Lifting speed fast/slow | 0,1m/s / 0,05m/s                    |



## Load diagram



Contact Jenalex 416-485-9487 or [info@jenalex.ca](mailto:info@jenalex.ca) Web [www.jenalex.ca](http://www.jenalex.ca)

All measures are LxWxH

## Platform

Safely lift and transport goods of varying sizes with this robust platform mounted on your PRO250.

- Art. 895610 ss surface, 600x400 mm
- Art. 895611 alu surface, 600x400 mm
- Art. 895612 ss surface, 600x600 mm
- Art. 895613 alu surface, 600x600 mm

The platform can be mounted  $\pm 100$  mm from position in drawing.

A2 = Stainless steel  
FZB = Zincified mild steel



## Boom

Lift and transport reels onto shafts and machines without effort with this ergonomic boom tool.

- Art. 895620  $\text{Ø}63,5 \times 500$  mm
- Art. 895621  $\text{Ø}63,5 \times 1000$  mm



All measures are LxWxH

### Roller boom

This boom is equipped with rollers for effortless loading and unloading of reels. The safety pin holds the reel in place and ensures safe transport. The pin is automatically released when the boom hits an object.

Art. 895622  
Handles reels up to 600 mm

1676 / 2226 -10

316  
0

1499 / 2049 -10

139  
0

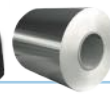
M=1992 / L=2542

M=1992 / L=2542

ext  
A2

int  
FZB

max  
250 kg



### Axle fork

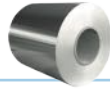
With this tool, reels on axle are easily gripped and lifted. The reel rests safely on the forks during transport.

Art. 895632  
Size 340x500 mm  
Handling reels up to  $\varnothing 600 \times 500$  mm

The fork can be mounted  
 $\pm 100$  mm from position in drawing.

A2

max  
250 kg



All measures are LxWxH

Ergonomic

QuickLoad



This feature for smooth and precise positioning of load saves valuable time and effort for the operator. Positioning is conveniently controlled with the detachable hand control.

Art. 890500

V-block with rotation plate



A v-block on your platform is a flexible and cost efficient solution for handling all types of reels. The rotation plate is suitable for all stainless steel platforms and enables effortless rotation of the v-block. The v-block can also be used without rotation plate.

Rotation plate Art. 890640  
V-block Art. 890641, block length 380 mm, for reels up to Ø600 mm

Efficient

Quick coupling



With a quick coupling, switching between different tools is quick and simple, for efficient handling of various goods.

Art. 895691, sleigh half  
Art. 895692, tool half

SmartPack

Extend working hours with a detachable battery pack including charger.

Art. 895400



ESD wheels

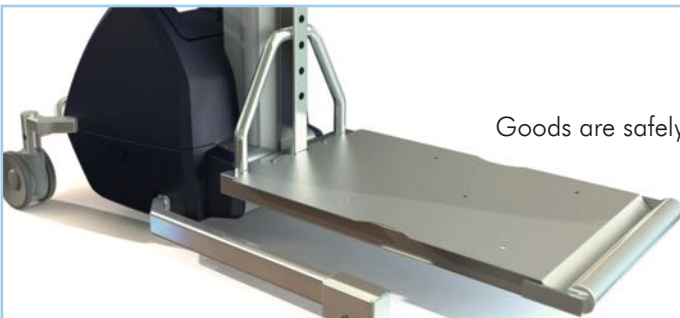
Ensure safety with ESD wheels when electrostatic discharge is not allowed, e.g. in environments where electrical components are assembled.

Art. 890692

Safe



Roll kit for platform



Goods are safely rolled onto the lifter with a roll kit attached to the platform. Fits platforms 895610, 895611, 895612 and 895613.

Art. 890644 steel roll Ø40x400 mm  
Art. 890645 plastic roll Ø40x400 mm  
Art. 890646 steel roll Ø40x600 mm  
Art. 890647 plastic roll Ø40x600 mm

Jenalex Inc Toronto 3230 Yonge St #1711, Toronto ON M4N 3P6

Web [www.jenalex.ca](http://www.jenalex.ca) Em [info@jenalex.ca](mailto:info@jenalex.ca) Ph 800-536-2539 or 416-485-9487

TAWI AB, Box 102 05, Transportgatan 1, 434 23 Kungsbacka  
Tel: +46 (0) 300 - 185 00, [info@tawi.se](mailto:info@tawi.se), [www.tawi.com](http://www.tawi.com)