

# Quick-Lift Rail

QL R 125i

**Intelligent lifting device which meets the highest standards of ergonomics, working environment, safety and efficiency.**

Unique integrated mechanical, electrical, pneumatic swivel enables continuous rotation of gripper.

Easy to use, thanks to outstanding responsiveness, regardless of load weight.

Exceptional safety is achieved using our intelligent control systems.

The best auto balancing available, regardless of load weight.

High cost efficiency through low power consumption, high reliability and long durability.



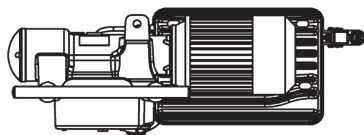
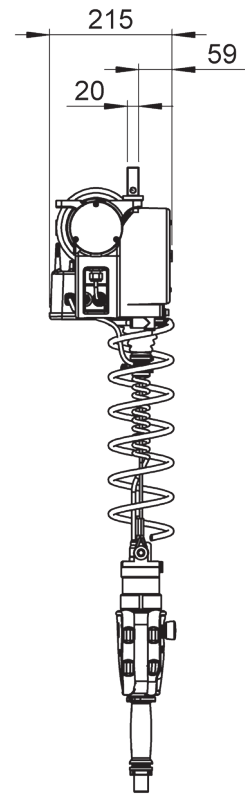
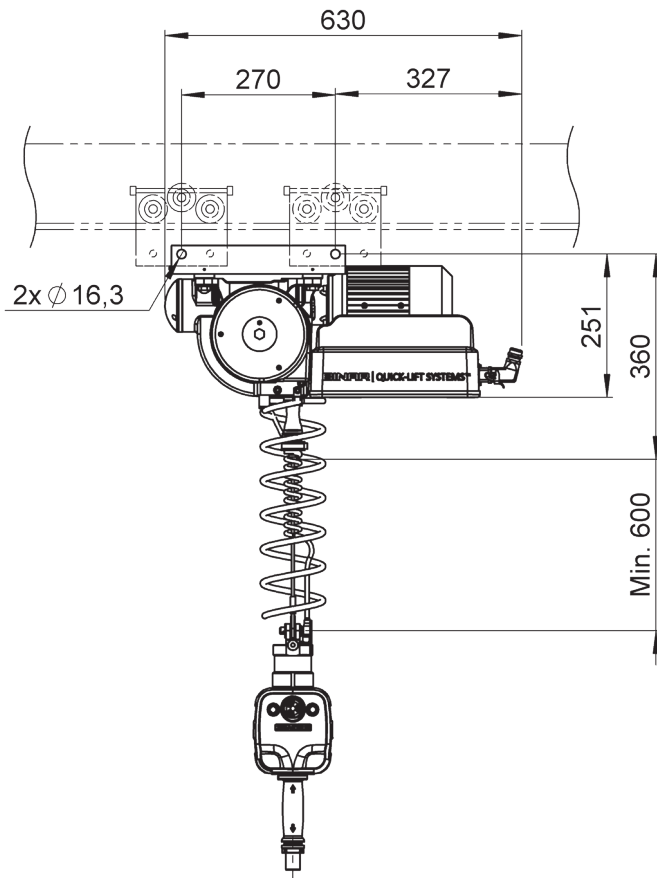
web: [www.jenalex.ca](http://www.jenalex.ca) | email: [info@jenalex.ca](mailto:info@jenalex.ca)

Ph: 1 800-536-2539 or 416-485-9487

**BINAR**  
Improving your productivity

# Quick-Lift Rail

## QL R 125i



### TECHNICAL DATA QL R 125i

<b>Lifting capacity</b>	Max 125 kg
<b>Lift motor</b>	Stepless servo-controlled asynchronous motor
<b>Weight</b>	28 kg
<b>Manoeuvring</b>	<p>Manoeuvring is done by using a patented manoeuvring handle or balancing mode. Both options sense the operator's hand/arm movement and give a very exact and smooth speed control.</p> <p>Only a force equivalent to 20 gram is needed to engage the up/down motion. When the operator let go of the handle or object, the up/down motion is immediately stopped.</p>
<b>Power supply</b>	230V, 50-60 Hz, 1-phase with ground protection, 10A
<b>Stroke length</b>	2,7 meter
<b>Suspension</b>	The QL R 125i can be mounted in the most types of rail systems. Existing rail systems can often be used.
<b>Gripping device</b>	<p>Grippers are designed to fit customer's need. Intelligent I/O signals are available for optimum functionality.</p> <p>Easy accessible USB communication as standard.</p>

Binar Quick-Lift Systems AB disclaims responsibility for any errors or incomplete information in the published material and reserves the right to make changes.



web: [www.jenalex.ca](http://www.jenalex.ca) | email: [info@jenalex.ca](mailto:info@jenalex.ca)

Ph: 1 800-536-2539 or 416-485-9487

**BINAR**  
Improving your productivity